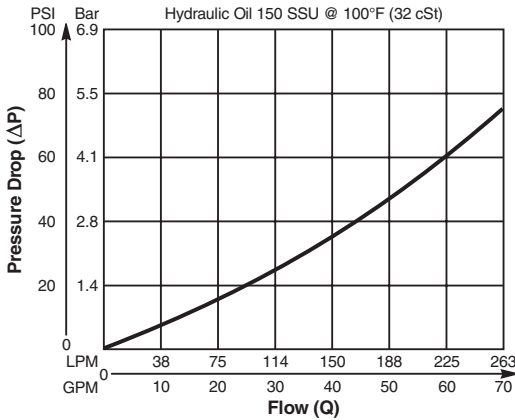


Valve/Cavity Compatibility

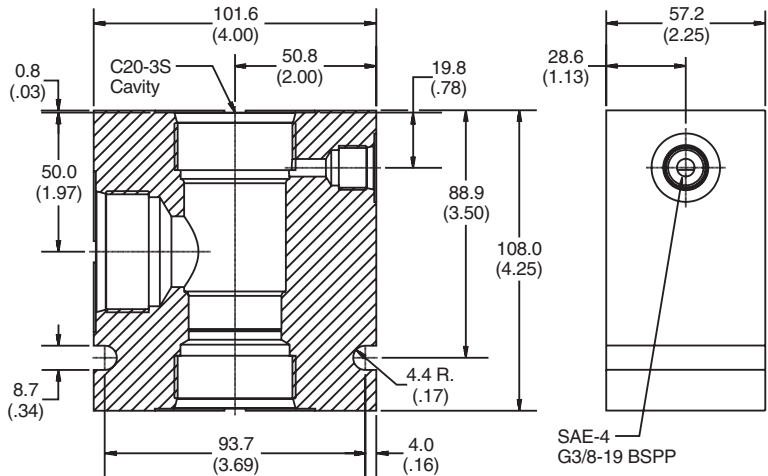
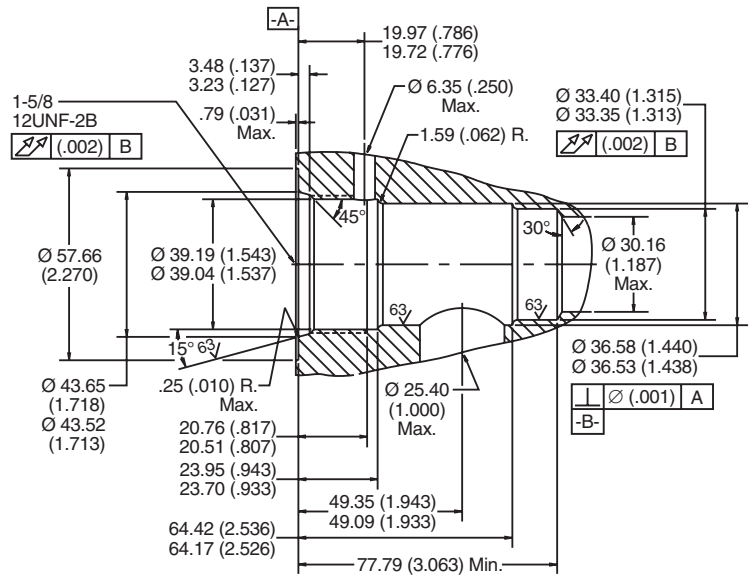
For additional information see Technical Tips on pages BC2-BC3.

		VALVE			
		Parker	Waterman	FPS	CEC
CAVITY	Parker				
	Waterman				
	FPS				
	CEC				X

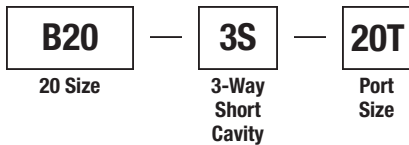
Performance Curve
Pressure Drop vs. Flow



Dimensions Millimeters (Inches)



Ordering Information



Code	Port Size
20T	SAE - 20/Steel (5000PSI)

Weight: 10.8 kg (22.2 lbs.)

***Please be advised that this is a non-core line body.**
Additional lead-time and/or pricing requirements may exist when ordering.

CV
Check Valves
SH
Shuttle Valves
LM
Load/Motor Controls
FC
Flow Controls
PC
Pressure Controls
LE
Logic Elements
DC
Directional Controls
SV
Solenoid Valves
PV
Proportional Valves
CE
Coils & Electronics
BC
Bodies & Cavities
TD
Technical Data